

# Application for Sewer Permit

Permit # \_\_\_\_\_

Name of Owner \_\_\_\_\_ Phone \_\_\_\_\_

Address \_\_\_\_\_

Location of Improvement \_\_\_\_\_ Lot # \_\_\_\_\_

Contractor's Name \_\_\_\_\_ Phone \_\_\_\_\_

Address \_\_\_\_\_

Evidence of Contractor's Bond (\$5000) \_\_\_\_\_

Total Fee and Deposit Due to the City of Bucyrus \_\_\_\_\_

I have read this entire permit application package and agree to comply with all regulations and specifications listed.

\_\_\_\_\_  
Signature of Applicant Date

Approved \_\_\_\_\_ Date \_\_\_\_\_

## Sewer Connection Charge – Tap in Fee – Street Excavation Deposit – Inspection fee

Single Family Residential, Manufactured Home, Apartment Complex:

\$285 per unit inside City  
\$535 per unit outside City

Commercial Building

\$310 per unit inside City  
\$560 per unit outside City

Industrial Building

\$410 per unit inside City  
\$660 per unit outside City

Reconnection Inspection Fee

\$30 per unit

One Half Alley Excavation

\$1500 Deposit

Entire Alley Excavation

\$2000 Deposit

One Half Street Excavation

\$2500 Deposit

Entire Street

\$3500 Deposit

All Street and Alley Excavation Permits shall have an additional \$5 fee (\$3 for Public Utilities).

The use of abandoned or disconnected taps may be permitted, provided the owner proves the existing pipe and tap are structurally acceptable. (Provided pipe is 6" or larger)

### Deposit Refund

The full amount of the deposit shall be refunded to the permittee if the alley or street is restored to original or better condition as specified by the City (see Appendix "A" pages 4 and 6). Any balance of the deposit will be refunded to the permittee if the City restores the alley or street.

**Permit is valid for a maximum of 30 days with all work commencing promptly and without any unnecessary delay.**

## General Notes:

The Contractor shall contact the following departments prior to commencing any work:

- The Ohio Utilities Protection Service 800-362-2764
- The Bucyrus City Police Department 419-562-1006
- The Bucyrus City Fire Department 419-562-1351
- Life Star Ambulance Service 419-562-6660
- The Bucyrus City Water Department 419-562-6767
- The Bucyrus City Street Department 419-562-2771
- The Bucyrus City Engineering Department 419-562-6767 ext. 226

Traffic control devices shall be used to provide adequate protection for pedestrian and vehicular traffic in accordance with the Ohio Department of Transportation Manual of Traffic Control for Construction and Maintenance Operation. And O.D.O.T. Item 614-Maintaining Traffic.

The contractor shall maintain at least one lane of traffic unless otherwise permitted by the City.

Pavement replacement Class "C" Concrete (O.D.O.T. Item – 499) shall be protected from all loading for 7 days per O.D.O.T. Item – 451.14 unless otherwise directed by the City Engineering Department.

Concrete shall not be placed on a frozen base or when air temperature is below 35 degrees Fahrenheit.

Concrete shall be protected from freezing temperatures per O.D.O.T. Item – 451.06

"Hot Mix" asphalt shall be placed in accordance with O.D.O.T. Item – 401. A minimum surface temperature of 36 degrees Fahrenheit and a minimum material temperature of 312 degrees Fahrenheit shall be maintained.

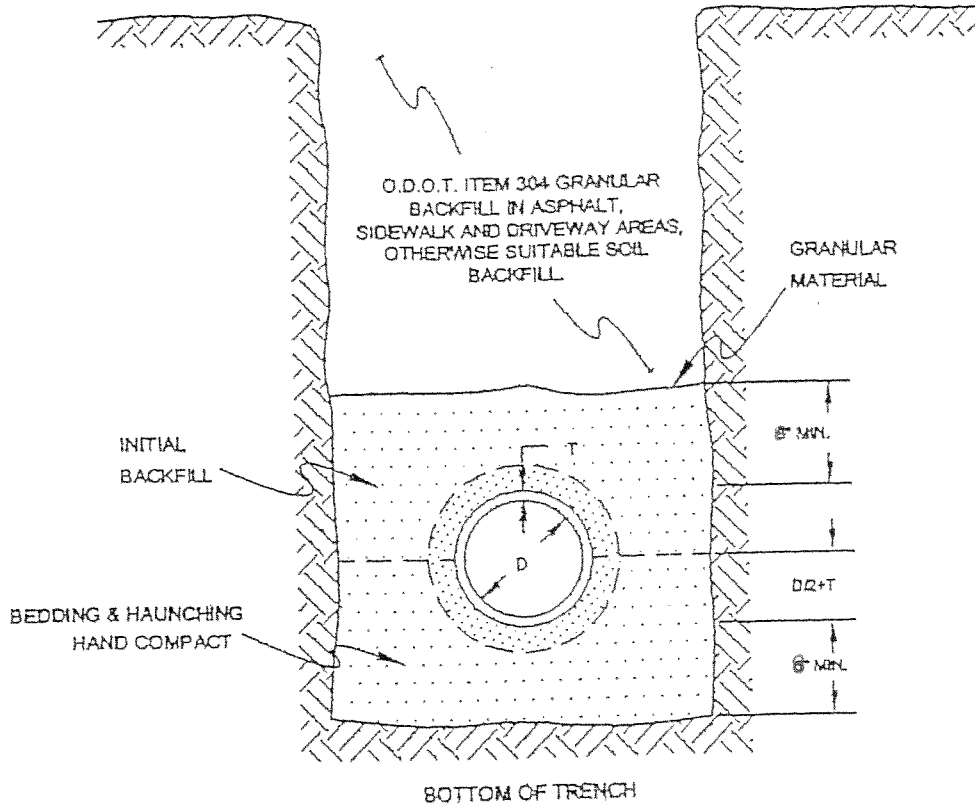
Joints between old and new pavements shall be sealed with hot applied crack and joint sealer per O.D.O.T Item – 705.04

Open excavations shall be maintained with a metal plate or backfilled completely to maintain vehicular traffic.

During winter months or when "hot mix" asphalt is not available, 3 inches of "cold mix" asphalt or concrete shall be placed in street excavation. The contractor shall must remove "cold mix" asphalt or concrete and replace pavement as shown on Pavement Repair Detail prior to street or alley excavation deposit being refunded.



NOTE: THIS DETAIL SHALL APPLY  
TO SANITARY LATERALS INSTALLED  
IN CITY RIGHTS-OF-WAY



NOTE:

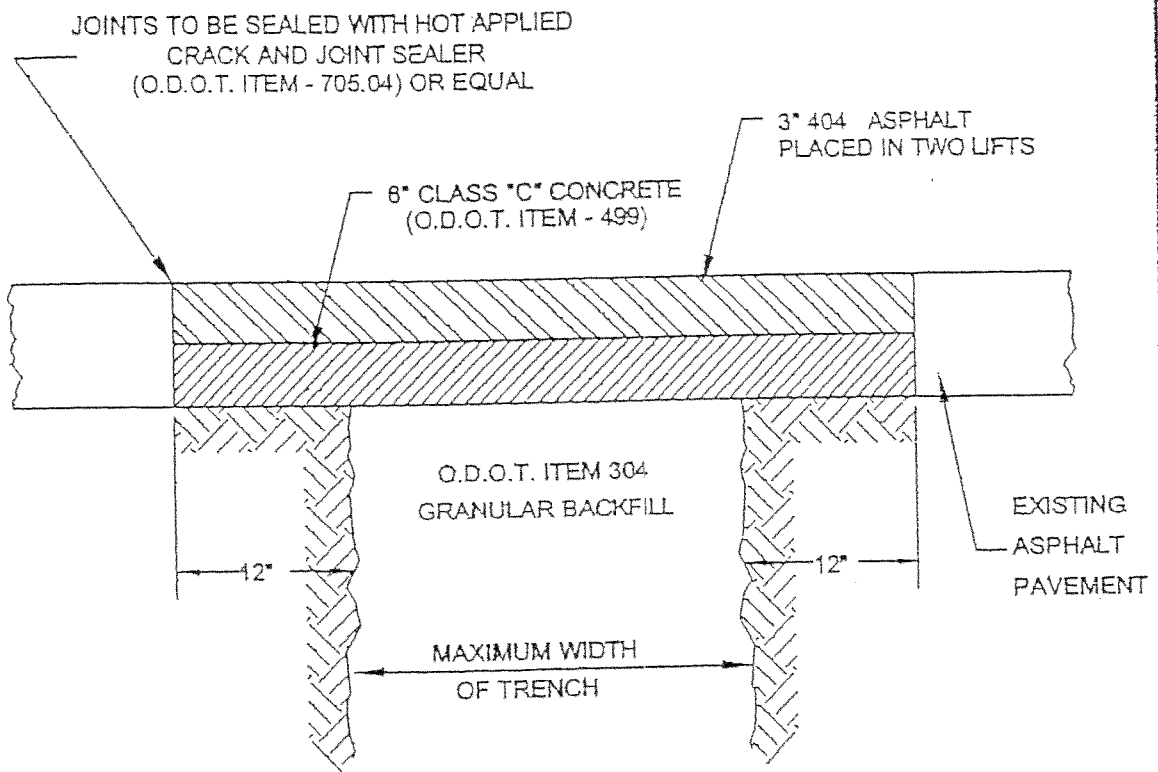
GRANULAR MATERIAL USED FOR BEDDING, HAUNCHING AND INITIAL  
BACKFILL SHALL CONFORM TO A.S.T.M. NO. 57, CRUSHED AGGREGATE:

MAXIMUM TRENCH WIDTH AT TOP OF PIPE SHALL BE AS FOLLOWS.  
FOR PIPE 24" ID OR LESS MAXIMUM TRENCH = O.D. OF PIPE + 24"  
FOR PIPE GREATER THAN 24" ID MAXIMUM TRENCH = O.D. OF PIPE + 30"

## BEDDING FOR SANITARY LATERALS

ENGINEERING DEPT.  
CITY OF BUCYRUS

STANDARD  
DWG. NO.  
SAN-21



# PAVEMENT REPAIR

Appendix "A" pg 4

ENGINEERING DEPT.  
CITY OF BUCYRUS

STANDARD  
DWG. NO.  
PR-2



# SANITARY SEWER TAPPING SPECIFICATIONS

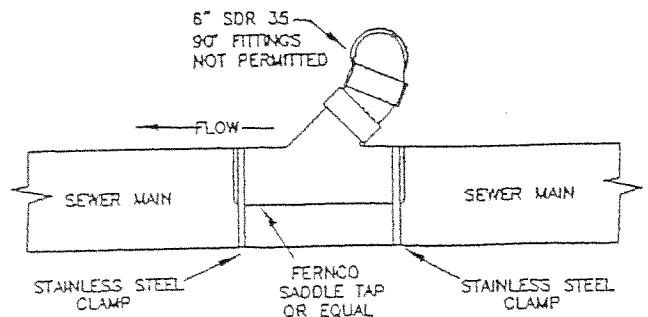
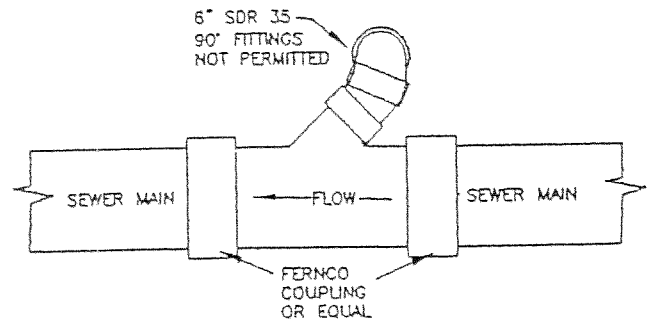
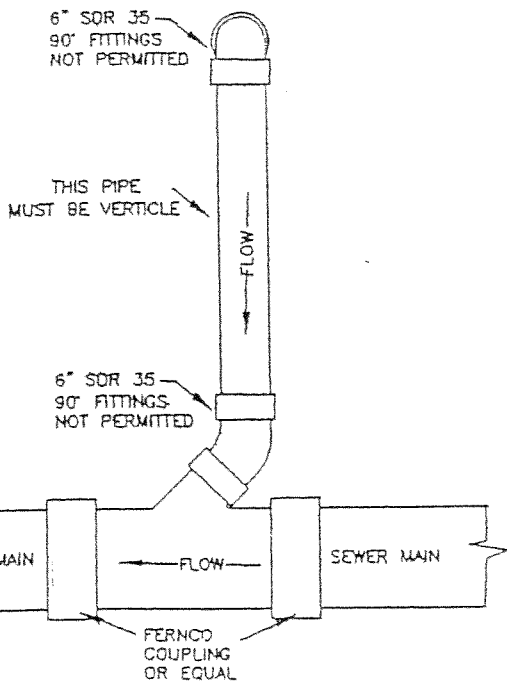
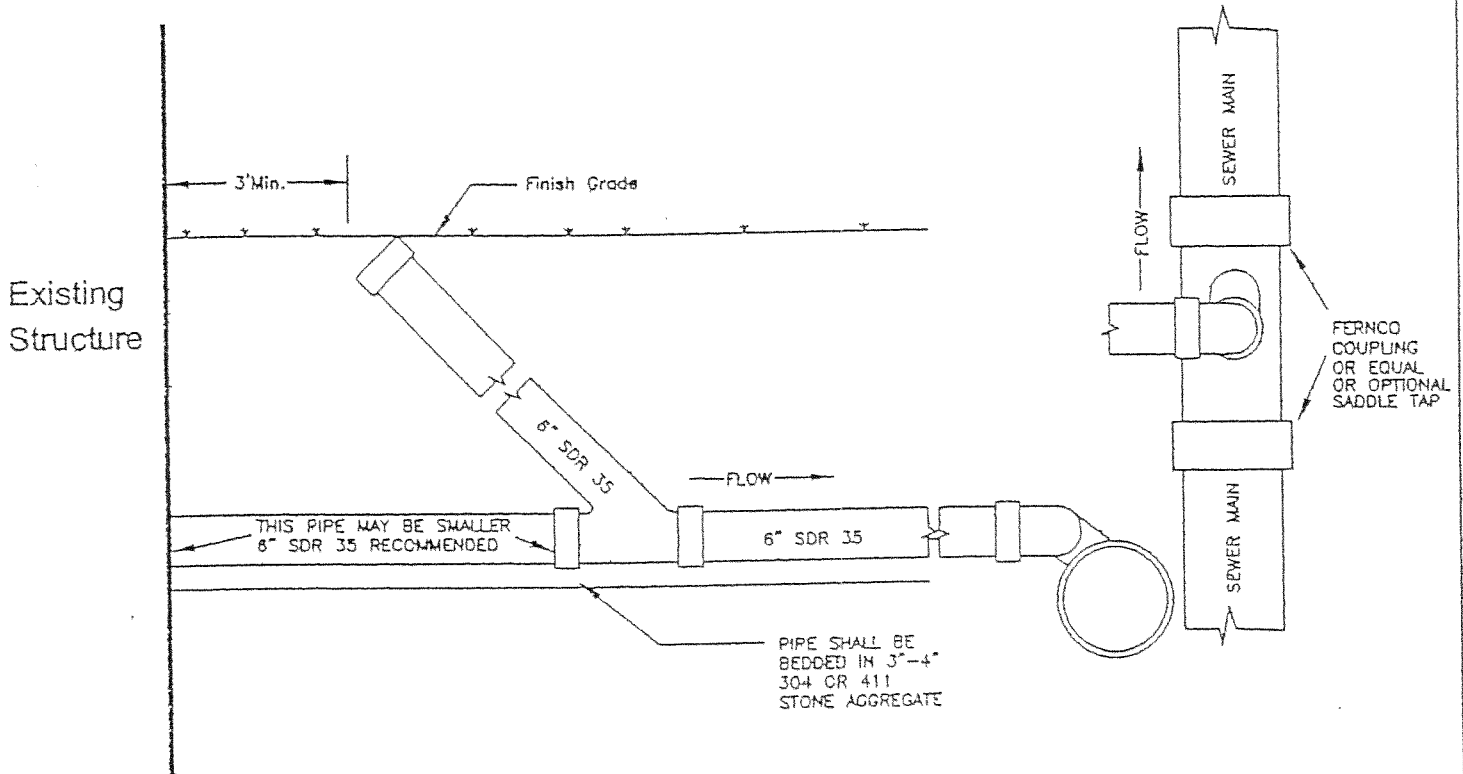
Note: 6" SDR 35 shall be laid at a slope between 1% and 7%

Note: Sewer Tapper must fill out attached location sheet

Note: Trench shall be left open until inspection is complete

Note: Sewer Tapper must place metal bolt, spike or rebar at location of clean-out

Note: Connection into main sewer must be placed in top 1/3 of pipe if possible





CITY OF BUCYRUS  
SEWER CONNECTIONS

DATE: \_\_\_\_\_

NAME: \_\_\_\_\_

ADDRESS: \_\_\_\_\_

DATE OF SEWER CONNECTION: \_\_\_\_\_

VERIFIED BY: \_\_\_\_\_

Copy to:  
Service-Safety Director  
Water Distribution Office